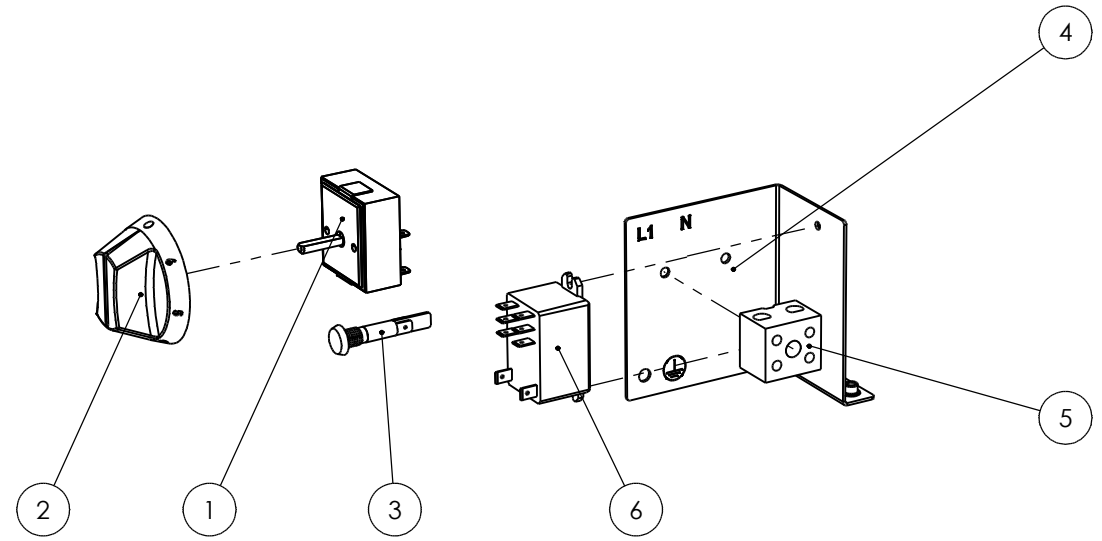
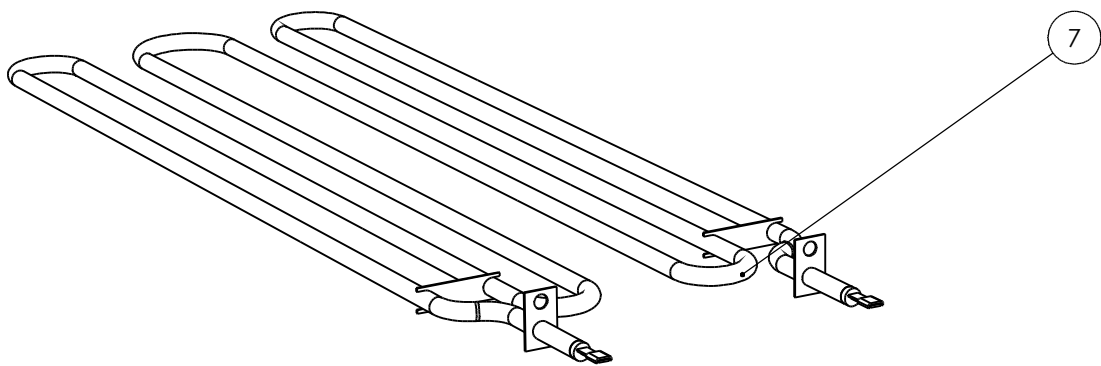


ITEM	DESCRIPTION	SPARES No
1	ENERGY REGULATOR	737630011
2	CONTROL KNOB	731610000
3	NEON INDICATOR	731540330
4	MAINS TERMINAL BRACKET	731570005
5	CONNECTOR BLOCK	731560350
6	RELAY	731570004
7	ELEMENT	731560400



CLEARED FOR PRODUCTION

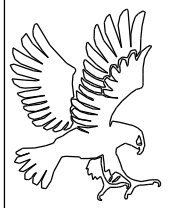
ISSUE	MOD No	ALTERATION	DRAWN BY	DATE
A	1318/1	PRODUCTION ISSUE	IAIN JAMES	29/11/11

IF IN DOUBT ASK
DO NOT SCALE
FIRST ANGLE PROJECTION

UNLESS OTHERWISE SPECIFIED:
DIMENSIONS ARE IN MILLIMETERS
TOLERANCES:
LINEAR: ±0.5mm
ANGULAR: ±0.5 DEG

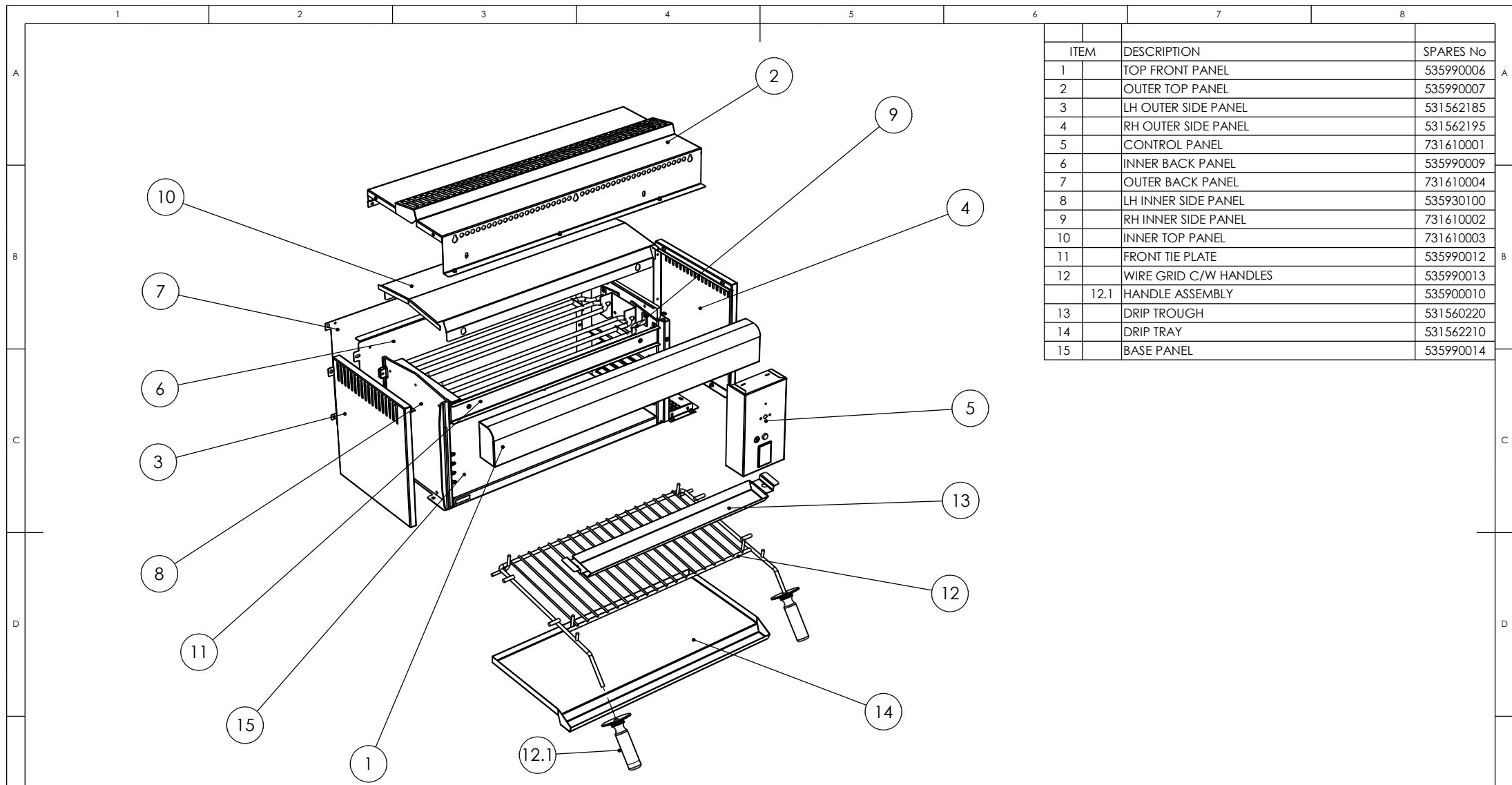
DEBUR AND
BREAK SHARP EDGES

WEIGHT: 52229.38g



DRAWN: IAIN JAMES	PRODUCT		E3532 GRILL
DATE: 02/11/11	TITLE		SPARES CONTROLS
SCALE: 1:2.5	DRAWING NUMBER	ISSUE	
MATL: N/A	AD48974	A	
THICKNESS:	FINISH:	PART No:	
BIN No:			

© NO REPRODUCTION OR PUBLICATION OF THIS DRAWING MAY BE MADE AND NO ARTICLE MAY BE MANUFACTURED OR ASSEMBLED IN ACCORDANCE WITH THIS DRAWING WITHOUT PRIOR WRITTEN CONSENT. THIS PROHIBITION IS A TERM OF ANY CONTRACT RELATING TO THIS DRAWING. RIGHTS RESERVED UNDER THE COPYRIGHT ACT 1956 AS AMENDED BY THE DESIGN COPYRIGHT ACT 1968



ITEM	DESCRIPTION	SPARES No
1	TOP FRONT PANEL	535990006
2	OUTER TOP PANEL	535990007
3	LH OUTER SIDE PANEL	531562185
4	RH OUTER SIDE PANEL	531562195
5	CONTROL PANEL	731610001
6	INNER BACK PANEL	535990009
7	OUTER BACK PANEL	731610004
8	LH INNER SIDE PANEL	535930100
9	RH INNER SIDE PANEL	731610002
10	INNER TOP PANEL	731610003
11	FRONT TIE PLATE	535990012
12	WIRE GRID C/W HANDLES	535990013
12.1	HANDLE ASSEMBLY	535900010
13	DRIP TROUGH	531560220
14	DRIP TRAY	531562210
15	BASE PANEL	535990014

CLEARED FOR PRODUCTION

ISSUE	MOD No	ALTERATION	DRAWN BY	DATE
A	1318/1	PRODUCTION ISSUE	IAIN JAMES	29/11/11

IF IN DOUBT ASK
DO NOT SCALE
FIRST ANGLE PROJECTION

UNLESS OTHERWISE SPECIFIED:
DIMENSIONS ARE IN MILLIMETERS
TOLERANCES:
LINEAR: ±0.5mm
ANGULAR: ±0.5 DEG

DEBUR AND
BREAK SHARP EDGES

WEIGHT: 52229.38g



DRAWN: IAIN JAMES	PRODUCT		E3532 GRILL
DATE: 1/11/11	TITLE		
SCALE: 1:7.5	SPARES FITMENTS		
MATL: N/A	DRAWING NUMBER	ISSUE	
THICKNESS:	FINISH:	AD48973	A
BIN No:	PART No:		